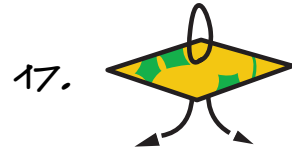


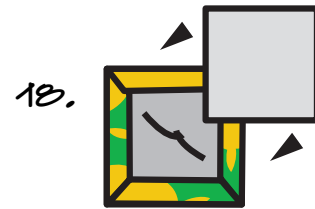


MAKING THE SMALL LID: Continued.

• trim the ribbon to 2". Going from the decorative side to the bookboard side, thread the two ribbon ends through the hole in the lid, **figure 17**. Spread the ends apart and glue down.



• apply glue to the bookboard side of the lid liner. Glue and center the liner onto the bookboard side of the lid, **figure 18**.



• repeat the above (without the ribbon) for the medium and large lids.

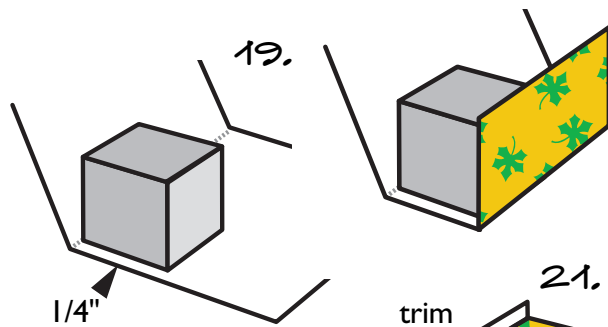
MAKING THE MEDIUM LID: Use pieces I, J, P and Za.

MAKING THE LARGE LID: Use pieces N, O, T and Zb.

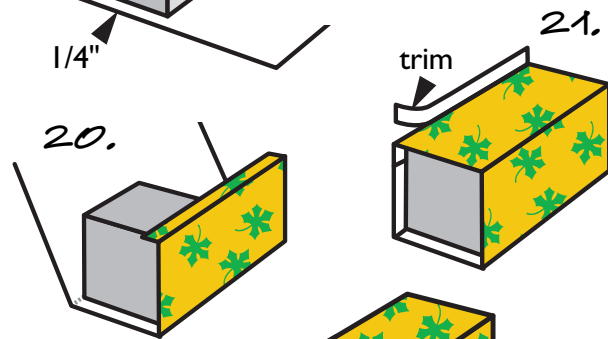


COVERING THE LARGE BOX: Use the large box with pieces Y and U.

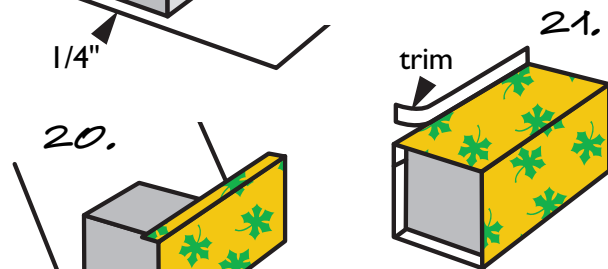
• apply glue to two sides of the outside of the box. Matching up the corner of the box with the fold in the decorative paper, piece Y, glue the decorative paper to the two box sides, **figure 19**, leaving a 1/4" of paper exposed along the bottom box edge.



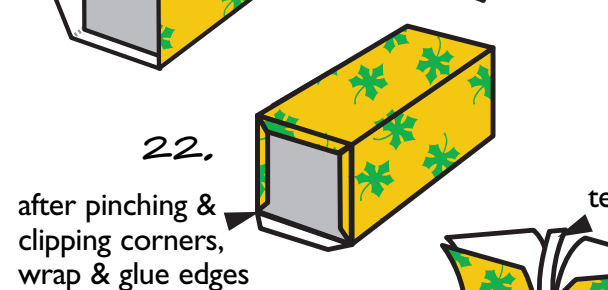
• apply glue the remaining paper flap and glue it to outside of the box, **figure 20**.



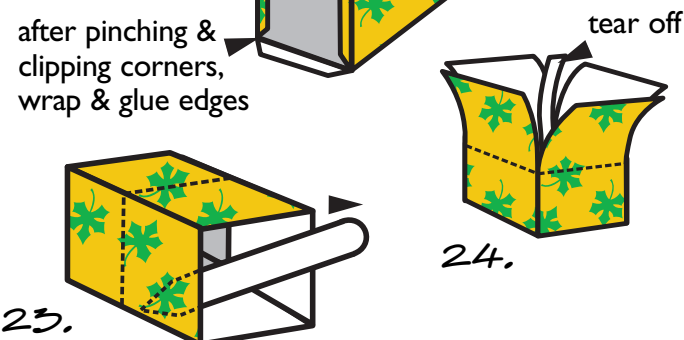
• before applying glue, pull the unglued decorative paper tightly around the unglued box sides. Mark with a pencil and trim the decorative paper to the edge of the corner, **figure 21**. Glue remaining sides of decorative paper to box.



• on the paper edge along the bottom of the box, "pinch" the corners and clip, **figure 22**. Glue down the 1/4" paper flaps.



• place the box on its side, **figure 23**. Make a score line with a bone folder by pulling from the corner of the box to the paper's edge. Repeat at each corner. Cut along each score line, down to the corner of the box. Where the two edges of the decorative paper meet and overlap, tear off the small tab, **figure 24**.



© 1999 Books By Hand



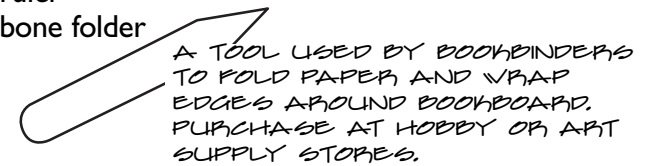
ASSEMBLED BY: _____ DATE: _____



Stacking Box

FOR THIS PROJECT YOU WILL NEED:

- scissors or craft knife
- small glue brush, 1/2" wide
- larger glue brush, 1" to 2" wide
- pencil
- PVA (good quality paper glue)
- wax paper to build boxes on
- scrap paper to glue on
- ruler
- bone folder



TO PREPARE FOR THIS PROJECT: Clear a work space and do an inventory of all the pieces in this kit. Carefully measure each piece. With a pencil, lightly label each piece with the capitalized letter that corresponds with the list below, figures 1 and 2.

PLEASE NOTE: In this kit the bookboard measurements involve the bookboard thickness so some of the measurements given will be noted as **BBT** which are the initials for **Book Board Thickness**.

STRUCTURE: Bookboard

Small Box

- A** one piece--1 3/4" x 1 3/4"--bottom
- B** two pieces--1 3/4" x 1 3/4"--short sides
- C** two pieces--1 3/4" x (1 3/4" plus 2BBT) long sides
- D** one piece--(1 3/4" plus 2BBT) x (1 3/4" plus 2BBT)--lid with hole
- E** one piece*--1 1/16" x 1 1/16"--lid liner

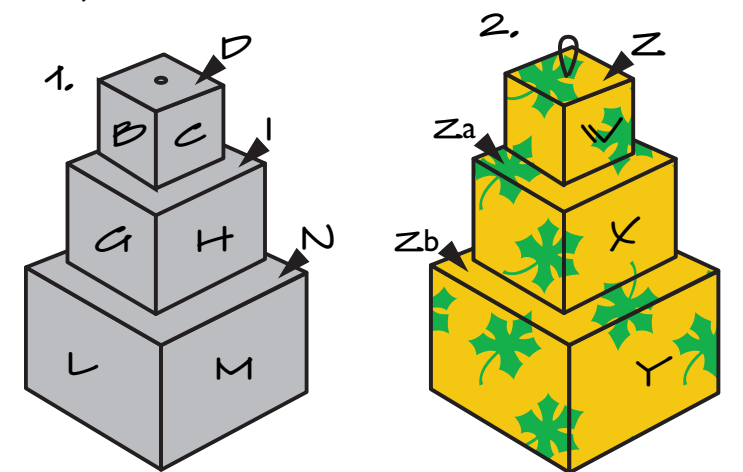
Medium Box

- F** one piece--2 3/4" x 2 3/4"--bottom
- G** two pieces--2 1/4" x 2 3/4"--short sides
- H** two pieces--2 1/4" x (2 3/4" plus 2BBT) long sides
- I** one piece--(2 3/4" plus 2BBT) x (2 3/4" plus 2BBT)--lid
- J** one piece*--2 1/16" x 2 1/16"--lid liner

Large Box

- K** one piece--3 3/4" x 3 3/4"--bottom
- L** two pieces--3" x 3 3/4"--short sides
- M** two pieces--3" x (3 3/4" plus 2BBT) long sides
- N** one piece--(3 3/4" plus 2BBT) x (3 3/4" plus 2BBT)--lid
- O** one piece*--3 1/16" x 3 1/16"--lid liner

RIBBON--lid handle



Read and study the Glue Tips carefully before starting this project!

IMPORTANT!

* Make sure that the lid liner boards are the correct size.

TIP: When doing an inventory, group the small, medium and large box pieces separately and keep the lid pieces separate from the box pieces.





BOOKCLOTH: is fabric backed with paper to create a glue barrier. Mark and glue only on the paper side. With a pencil and ruler, measure and cut the following pieces out of the 7" x 8 1/2" sheets as shown, figures 3 and 4.

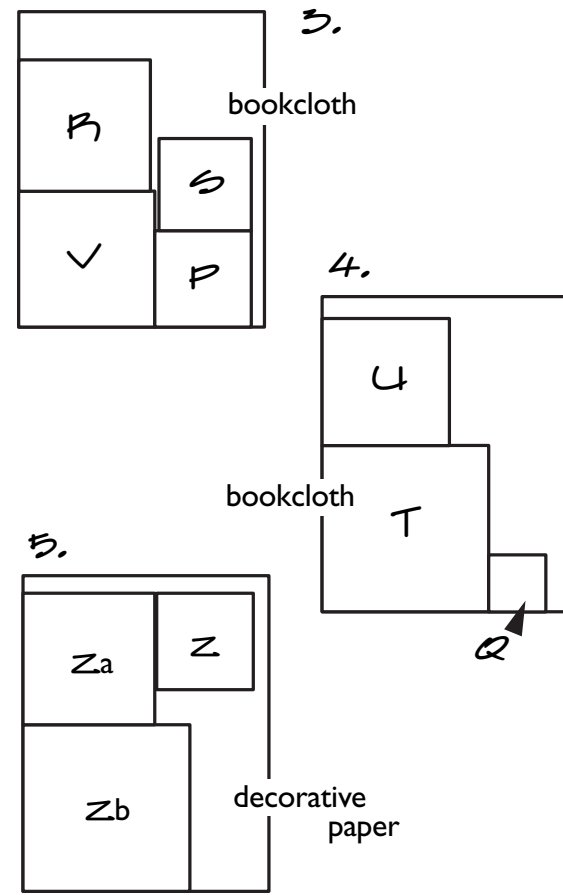
- P one piece--2 3/4" x 2 3/4" (small lid liner)
- Q one piece--1 5/8" x 1 5/8" (small bottom liner)
- R one piece--3 3/4" x 3 3/4" (medium lid liner)
- S one piece--2 5/8" x 2 5/8" (med bottom liner)
- T one piece--4 3/4" x 4 3/4" (large lid liner)
- U one piece--3 5/8" x 3 5/8" (large bottom liner)
- V one piece--3 7/8" x 3 7/8" (large outside bottom)

DECORATIVE PAPER: box side coverings

- W one folded piece--4 1/4" x 9" (small box)
- X one folded piece--5 3/4" x 13" (medium box)
- Y one folded piece--6 3/4" x 17" (large box)

DECORATIVE PAPER: with a pencil and ruler, measure and cut the following pieces out of the 7" x 9" piece as shown, figure 5.

- Z one piece--2 3/4" x 2 3/4" (small box lid)
- Za one piece--3 3/4" x 3 3/4" (medium box lid)
- Zb one piece--4 3/4" x 4 3/4" (large box lid)



©1999 Books By Hand



MAKING THE LARGE BOX: Use pieces K, L and M.

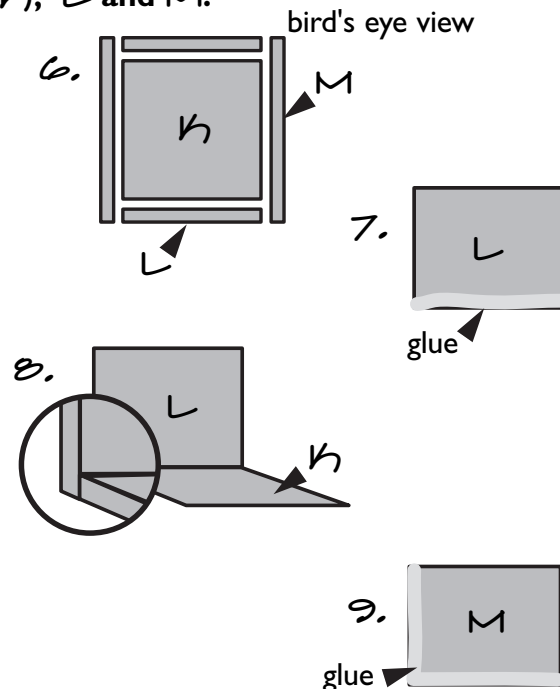
in the bird's eye view of figure 6, note that the sides and ends, pieces L and M, are built around (not on top of) the bottom, piece K. Also, note that the long sides, pieces M, of the box are 2BBT longer than the bottom of the box and that the long sides overlap the box ends.

on a smooth, flat surface, place piece K on waxed paper. During box construction, move the waxed paper and not the drying box pieces.

on a box short side, piece L, apply a "bead" of glue on the inside of a long edge, figure 7. Without moving the bottom piece K, glue this side piece against the edge of the bottom piece, figure 8.

hold the side in place to allow the glue to dry a little.

on a box long side, piece M, apply a "bead" of glue on the inside of a long edge and the inside of the end that will be glued onto the first piece, figure 9.



MAKING THE LARGE BOX: Continued.

without moving the bottom piece, glue this long side piece against the bottom edge and the corresponding edge of the already attached short side piece, figure 10. With this new long side piece, make sure to overlap the end of the already attached short side piece. On the other end, this long side piece should extend out a distance equal to the thickness of the bookboard.

hold the pieces to allow the glue to dry a little.

on the remaining box short side, piece L, apply a "bead" of glue on the inside of a long edge and the end edge that will be glued onto the already attached long side piece, figure 11.

without moving the bottom piece, glue this short side piece against the bottom edge and the corresponding edge of the already attached long side piece, figure 12.

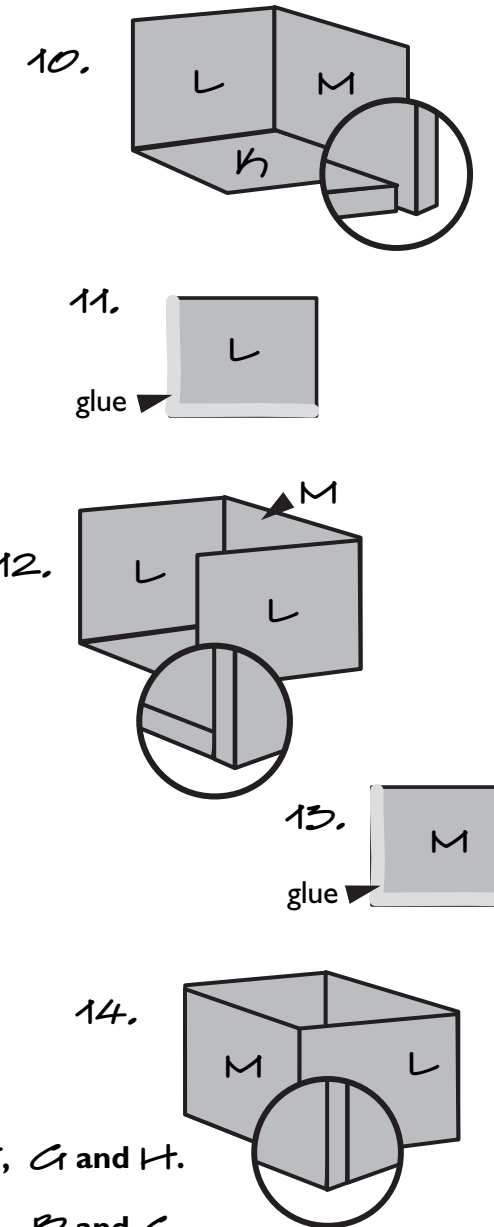
hold the pieces to allow the glue to dry a little.

on the remaining long side, piece M, apply a "bead" of glue on the inside of a long edge and the inside of both short ends, figure 13.

without moving the bottom piece, glue this side against the bottom edge and the corresponding edges of the already attached short side pieces, figure 14.

inside the box, clean up the glue with a brush.

repeat the above for the medium and small boxes.



MAKING THE MEDIUM BOX: Use pieces F, G and H.

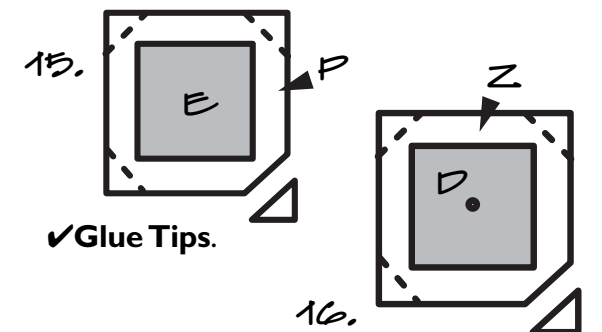
MAKING THE SMALL BOX: Use pieces A, B and C.



MAKING THE SMALL LID: Use pieces D, E, F, X and RIBBON.

✓Glue Tips and apply glue to the back of the bookcloth liner, piece P. Glue and wrap the bookcloth around the bookboard, piece E, figure 15.

✓Glue Tips and apply glue to the back of the decorative paper, piece Z. Glue and wrap the decorative paper around the bookboard lid, piece D. Using a pencil, going from the decorative paper side to the bookboard side, push and punch the decorative paper into the hole in the lid, figure 16.



©1999 Books By Hand



We will send you a surprise if you let us know, in writing, about any typos or unclear instructions.

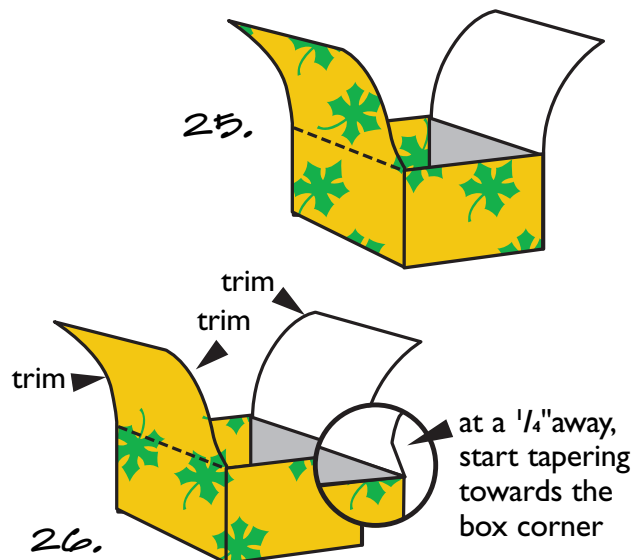
COVERING THE LARGE BOX: Continued.

- apply glue to two opposite paper flaps, **figure 25**. Wrapping tightly, glue the flaps to the insides and the bottom of the box.

- along one edge of the remaining unglued flaps, begin to trim off $\frac{1}{8}$ ", **figure 26**. At about $\frac{1}{4}$ " away from the box corner, start tapering towards the corner, ending at the corner. Repeat on the remaining three flap edges. Apply glue to the remaining flaps. Wrapping tightly glue these flaps to the insides and the bottom of the box.

- glue bookcloth piece **U** to the inside box bottom.

- repeat the above for the medium and small boxes.



COVERING THE MEDIUM BOX: Use the medium box with pieces **X** and **S**.

COVERING THE SMALL BOX: Use the small box with pieces **W** and **Q**.

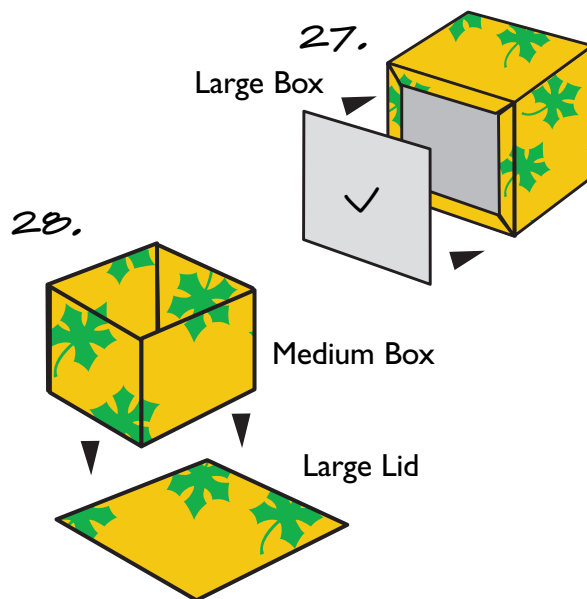
COMPLETING THE STACKING BOX: Use all the remaining pieces.

- apply glue to the paper side of bookcloth piece **V**. Center and glue it to the outside bottom of the large box, **figure 27**.

- making sure to cover the entire surface, apply glue to the bottom of the medium size box. Center and glue the medium size box to the large lid, **figure 28**.

- repeat the above with the small size box and medium lid.

- let the box dry for a few hours before trying to put the lids in place. The lids should fit very tightly because they will loosen up over time. If the fit is too tight, with a bone folder, burnish down the edges of the lid liner and the inside edges of the box.



NOTES: