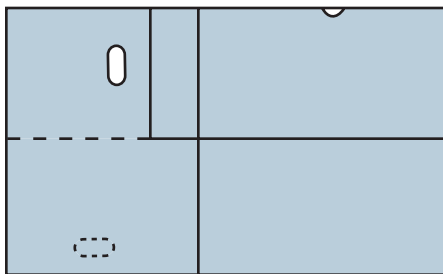


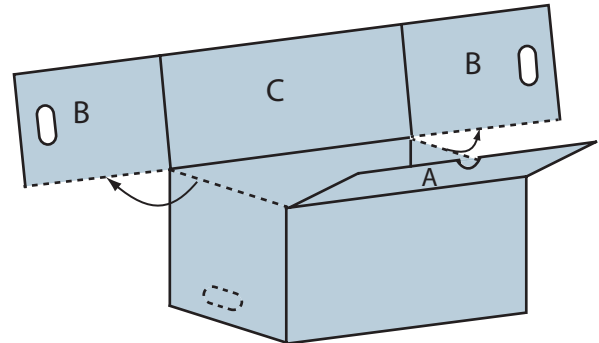
PRODUCT INFORMATION SHEET

ASSEMBLY INSTRUCTIONS FOR RECORD STORAGE CARTON - CARTON BASE

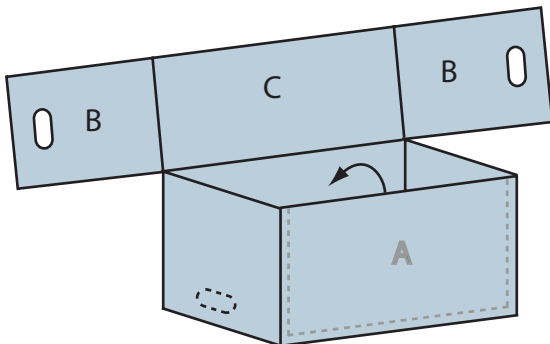
- 1 Carton shown flat.



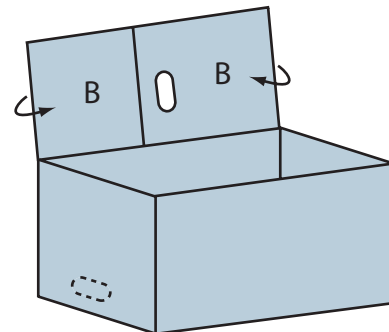
- 2 Separate bottom of panels B from the box. B and C will open out flat.



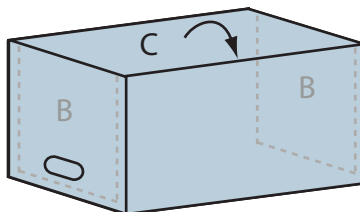
- 3 Fold flap A over and into the box.



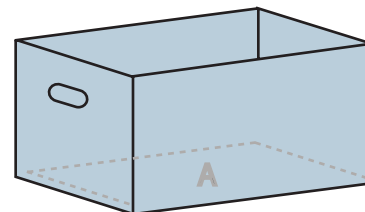
- 4 Fold both B panels over the center of panel C.



- 5 Fold panels B and C into carton. Open B panels up inside as shown. Panel C will make up the bottom of the carton.

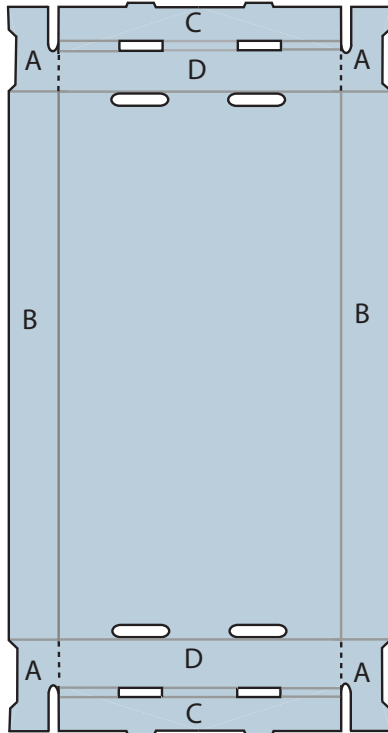


- 6 Flip the carton over. Fold panel A down to lay flush with panel C. Base carton is complete.

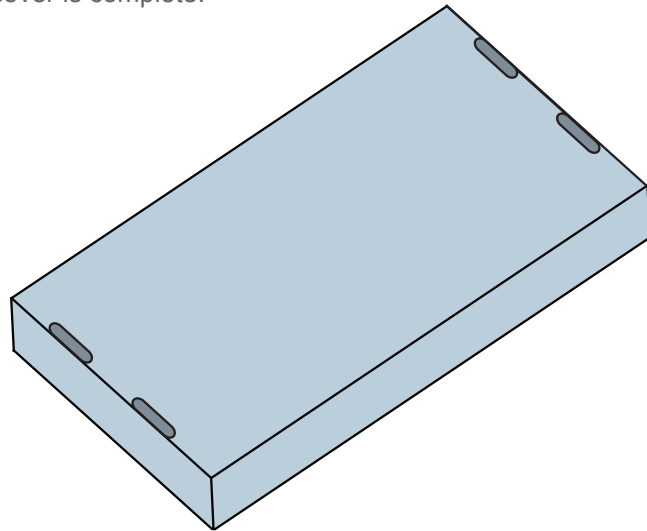


PRODUCT INFORMATION SHEET

ASSEMBLY INSTRUCTIONS FOR RECORD STORAGE CARTON - COVER



- 1 Fold both B panels up.
- 2 Remove perforations from panel A and fold in to line up with bottom of panel D.
- 3 Fold panels C and D over both panels A and lock into slots. The carton cover is complete.



Finished product:

